


Version	2.0	Date	1/25/19
Prepared By	JC		

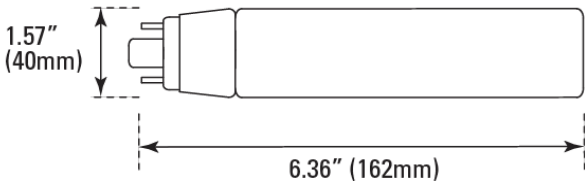
PRODUCT SPECIFICATION			
Category	PL Instant Fit		
Item Number	4545		
Stock Code	LED18PL/H/185L/4P/840/IF		
Mounting	G24q / GX24q		
Housing Color	White / Frosted Lens		
PICTURE			

ELECTRICAL CHARACTERISTICS			
Rated Wattage (W)	18	Replacement Wattage (W)	42
Tested Wattage (W)	18.5		
Input Voltage (V)	120-277V	Surge Protect Level	-
Voltage Frequency (Hz)	50/60	Dimmable	-
Input Current (A)	-	AUX (12V) Line	-
Power Factor	>0.9		
THD	<20%		

PHOTOMETRIC CHARACTERISTICS			
Lumen (lm)	1,850	CCT (K)	4000K
Efficacy (lm/w)	100	Beam Angle (°)	120°
CRI	80		

GENERAL CHARACTERISTICS	
Operating Temperature (°F)	-4°F ~ 113°
Storage Temperature (°F)	-40°F ~ 185°
IP Rating	Damp Location
IK Rating	-
Rated Life (Hrs)	50,000
Warranty (Yrs)	5

ACCESSORIES		
Item #	Stock Code	Description

PRODUCT DIMENSIONS			
Width- in / (mm)	6.36"	162	
Height- in / (mm)	1.57"	40	
Depth- in / (mm)	-	-	
IK Rating	-	-	
Weight (lbs)	0.42		
Mounting Height (ft)	-		
Cable Length (ft)	-		

CERTIFICATIONS			
UL/ETL	UL	CEC	
NSF/ETL Sanitation		JA8	
Energy Star		FCC	✓
DLC	5.1 Standard	RoHs	✓

DOCUMENTS			
LM79	✓	IES File	✓
LM80	✓	Dimmer List	

COMMENTS